

Installation guide &
Product Information

WOHNHELD

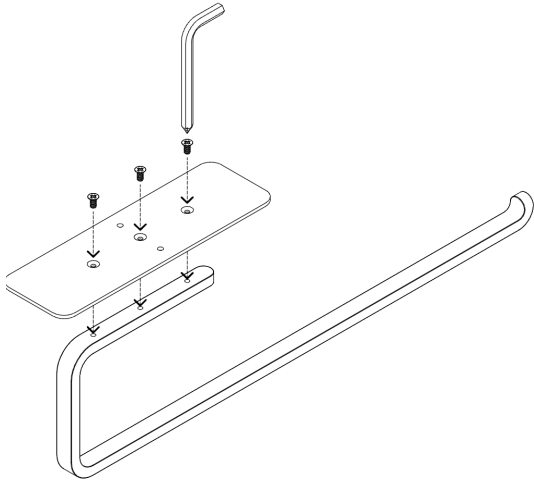
Kitchen roll holder



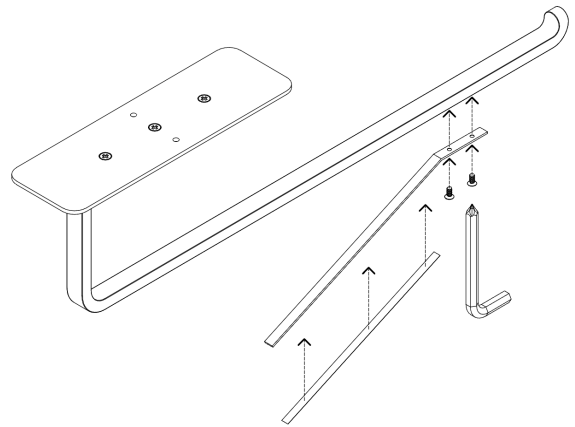
Table of contents

Quick guide	2
Scope of Delivery	3
General	3
Security	4
Commissioning	5
Technical data	6
Customer service	6

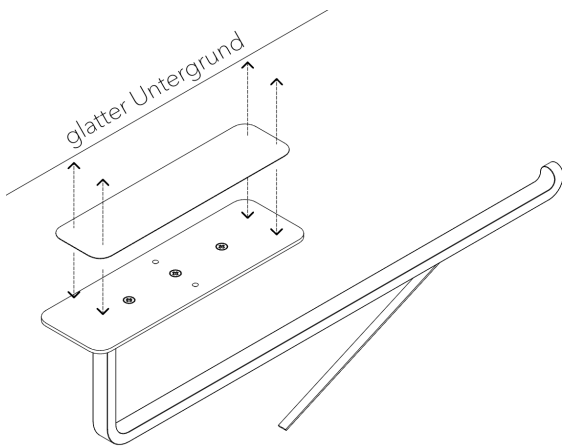
Quick guide



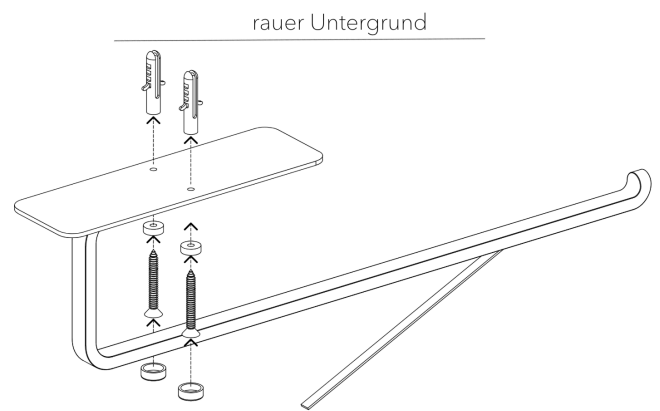
1) Fasten the kitchen roll holder to the base plate using the large screws.



2) Attach the tear-off brake to the holder using the small screws, and stick the silicone sticker onto the tear-off brake.



3) For smooth surfaces, stick the holder on with the 3M tape and press firmly for 30 seconds. Wait 12 hours before use.



3b) For rough surfaces, mount the holder using screws (optionally with wall plugs) and the screw covers.

Scope of Delivery

- 1 x Paper towel holder
- 1 x Brake arm
- 1 x Base plate
- 4 x Screws for attaching the holder to the base plate (1 spare screw)
- 3 x Screws for attaching the brake arm to the holder (1 spare screw)
- 1 x Double-sided adhesive tape for mounting the paper towel holder
- 2 x Wall plugs for mounting
- 4 x Screws for mounting (2 x long, 2 x short)
- 2 x Screw covers
- 1 x Silicone sticker for the brake arm
- 1 x Instruction card

General



Read the operating instructions.

This instruction manual belongs to the kitchen roll holder from WOHNHELD. It contains important information on commissioning and Handling. Failure to observe these operating instructions may result in cause damage to the product.

Explanation of symbols

The following symbols and signal words are used in these operating instructions.

NOTE - This signal word warns of possible damage to property.



This symbol gives you useful additional information on operation or handling.



Regulation (EC) No. 1907/2006 (REACH Regulation) is an EU chemicals regulation that came into force on June 1, 2007. REACH stands for Registration, Evaluation, Authorization and Restriction of Chemicals. As an EU regulation, REACH has equal and directly applicable in all member states.

Copyrights

Passing on and copying of this document, utilization and communication of its contents are prohibited unless expressly permitted. Violations oblige to compensation. All rights reserved in the case of patent or utility model.

Security

Intended use

The kitchen roll holder is designed exclusively for unrolling kitchen rolls.

Use the kitchen roll holder only as described in this manual. described in the operating instructions. Any other use is considered improper and can lead to property damage. The kitchen roll holder is not a child's toy.

The manufacturer or distributor accepts no liability for damage caused by are caused by improper or incorrect use.

Safety instructions



NOTE: Do not attempt to bend the unwinding bracket. This may cause it to break.

Commissioning

i NOTE on assembling the kitchen roll holder:

Assembling the kitchen roll holder

- Open the packaging and remove the kitchen roll holder along with the included accessories.
- Attach the holder to the base plate using the three larger screws and the included cross wrench. (A total of 4 large screws are included – 1 is a spare.)
- Next, fasten the tear-off brake to the holder using the two smaller screws. (A total of 3 small screws are included – 1 is a spare.)
- If desired, you can attach the included silicone sticker to the front end of the tear-off brake. This makes the brake softer, slightly increases the roll-off resistance, and reduces noise.

i NOTE: Use the double-sided adhesive tape for mounting only on smooth surfaces (e.g., smooth wood, glass, metal, most plastics, stone, and tiles).

NOTE: If you need a new 3M tape for installation, feel free to contact us at info@wohnheld.eu. We will gladly send you a new one free of charge.

Mounting with double-sided adhesive tape:

- Choose a suitable location with a smooth surface.
- Thoroughly clean the area on the paper towel holder where the double-sided adhesive tape will be applied using a dry cloth.
- Remove the protective film from one side of the double-sided adhesive tape.
- Stick the adhesive tape onto the paper towel holder with the sticky side.
- Remove the second protective film from the adhesive tape.
- Press the paper towel holder firmly onto the surface for 30 seconds.
- Wait 24 hours to allow the full adhesive strength of the 3M tape to develop.
- The paper towel holder is now ready for use.

i NOTE on mounting with screws:

Mounting with screws:

- Choose a location where you can screw in the kitchen roll holder.
- Position the kitchen roll holder at the desired spot and fasten it with the two screws.
- Take the two screw covers and screw them onto the screw heads.
- The kitchen roll holder is now ready for use.

Mounting with wall plugs and screws:

- Choose a location where you can drill holes for the wall plugs.
- Hold the kitchen roll holder in place and mark the two drill holes for the wall plugs with a pencil.
- Using a drill (diameter: 7 mm), drill two holes for the wall plugs.
- Insert the wall plugs fully into the holes.
- Take the two screws and fasten the kitchen roll holder using the wall plugs.
- Take the two screw covers and screw them onto the screw heads.
- The kitchen roll holder is now ready for use.

Technical data

Model: Kitchen roll holder

Device color: silver, black or white

Weight: approx. 150 g

Size: 310 x 150 x 45 mm

Subject to technical and optical changes.

Customer Service / Customer Support

Dear customers,

our customer support staff will be happy to assist you. Please submit your concerns at:

info@wohnheld.eu

With kind regards

Your team from WOHNHELD